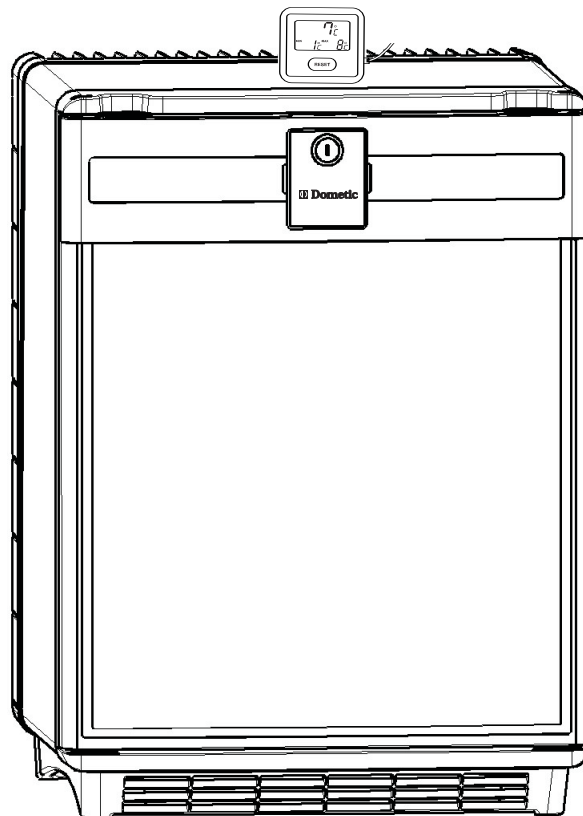




# Health Care refrigerator

**DS 300 H      DS 600 H**



Operating Instructions





Please read these operating instructions carefully before putting the refrigeration unit into operation. If you later sell or dispose of it, please ensure that the new owner receives these operating instructions.

Please follow the installation details below carefully Guarantee is valid for products installed as described only.

Thank you for choosing our appliance. We are sure it will provide you with trouble-free use.

In the following, we would like to familiarise you with some symbols, which we bring to your attention to ensure the safe and efficient operation of the appliance:



source of danger, in event of improper operation



suggested useful tips to read



information concerning environmental protection

This refrigerator is intended for the storage of drugs at temperatures within the range +2°C to +8°C. A digital type thermometer is provided which may be fixed to the top of refrigerator. (Fig.2, page 4)



**Attention!**

**THIS REFRIGERATOR IS NOT SUITABLE FOR THE STORAGE OF BLOOD.**



**Attention!**

- This product is designed to be operated by adults. Children should not be allowed to tamper with the controls or play with the product.
- Any electrical work required to install this appliance should be carried out by a qualified electrician.
- This product should be serviced by an authorised Service Engineer, and only genuine spare parts should be used.
- It is dangerous to alter the specifications or modify this product in any way.
- Care must be taken to ensure that the appliance does not stand on the electrical supply cable.
- There are working parts in this product which heat up. Always ensure that there is adequate ventilation as a failure to do this will result in component failure and possible content loss. See installation instructions.
- Parts which heat up should not be exposed. The back of the product should be close to a wall but leaving the required distance for ventilation as stated in the installation instructions.
- Before defrosting, cleaning or maintenance work is carried out, be sure to switch off the appliance and unplug it.
- DO NOT USE SHARP INSTRUMENTS to scrape off frost or ice. Under no circumstances should solid ice be forced off the cooling fins. Solid ice should be allowed to thaw when defrosting the appliance. See defrost instructions.
- This appliance is heavy. Care should be taken when moving it.
- Under no circumstances should you attempt to repair the appliance yourself. Repairs carried out by inexperienced persons may cause injury or more serious malfunctioning. Refer to your local Service Centre and always insist on genuine spare parts.
- In this appliance the storage of any toxic or explosive substance is forbidden!

# CONTENTS

1. Unpacking
2. View of the appliance
3. Cleaning
4. Positioning the appliance
  - 4.1. Installation instruction
5. Using the appliance
  - 5.1. Initial operation
  - 5.2. Temperature regulation
6. Thermometer
7. Useful suggestions
8. Defrosting, cleaning and maintenance
9. Interior light
10. Reversing the door hang
11. Replacing the decorative door panel
12. Customer service
13. Putting into operation, technical data
  - 13.1. Connecting to electrical mains
14. Environmental protection information
15. Recycling



## **Attention!**

**Warranty arrangements are in accordance with EC Directive 44/1999/CE and the normal conditions applicable in the country concerned.**

**For warranty or other servicing, such as spare-parts, please contact our Dometic Service Network.**

**The warranty does not cover any damage due to improper use.**

**The warranty does not cover any modifications to the appliance or the use of non-original Dometic spare-parts.**

**The warranty does not apply if the installing and operating instructions are not adhered to.**

**When contacting Dometic Service Network, please state the model, product number and serial number. You will find this information on the data plate inside of the refrigerator.**

# 1. Unpacking

After removal from the cardboard packaging, make sure the appliance is not damaged. If you find damage to the appliance resulting from transport, report it immediately to the transportation firm.



Figure 1

# 2. View of the appliance

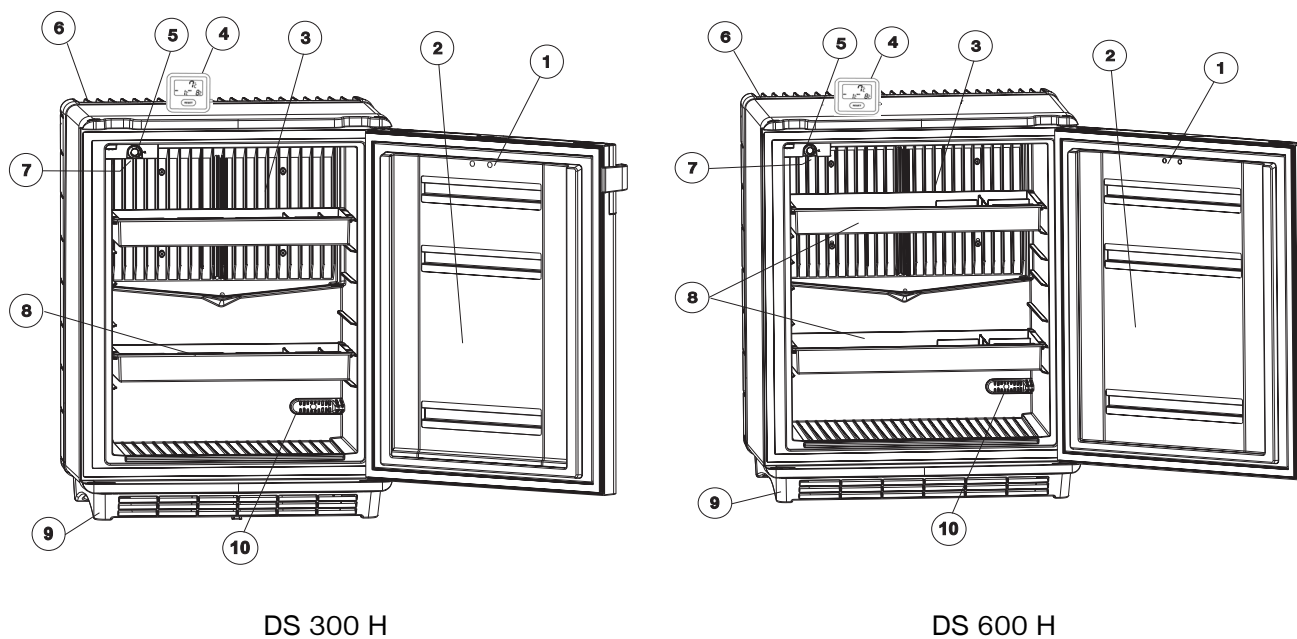


Figure 2.

- 1. Door lock
- 2. Door
- 3. Evaporator
- 4. Thermometer
- 5. Thermostat knob

- 6. Cooling unit room cover
- 7. Interior light
- 8. Trays
- 9. Footframe
- 10. Sensor of Fuzzy Logic

**IN CASE IF YOUR REFRIGERATOR IS EQUIPPED WITH LOCK, DOMETIC RT DO NOT ACCEPT LIABILITY FOR LOSS OR DAMAGE OF KEYS. HOWEVER A COMPLETE LOCK CAN BE SUPPLIED.**

### 3. Cleaning

**i** Clean the refrigerator thoroughly at intervals, as necessary. Remove the shelves; these, the cabinet interior and the door should be washed with a warm solution of sodium bi-carbonate. Finally wipe over with a cloth rinsed in warm water only, and dry with a clean cloth. Do not wash any plastic parts in water that is more than hand warm, and do not expose them to dry heat. The outside of the cabinet should be wiped down regularly with a clean, damp cloth.

NEVER USE STRONG CHEMICALS OR ABRASIVE CLEANING MATERIALS ON ANY PART OF THE CABINET.

### 4. Positioning the appliance

When first using this refrigerator please consider the following points:

- ENSURE REFRIGERATOR IS LEVEL
- THE PIPEWORK AT THE BACK GETS HOT IN USE
- THE REFRIGERATOR HAS NO 'MOTOR' AND IS THEREFORE VIRTUALLY SILENT
- ALLOW AT LEAST 3 HRS. FOR SIGNS OF COOLING

**i** During the refrigeration process, the appliance gives off heat from the condenser (under the upper part of the rear cover) into the surrounding air. The more ventilated the condenser is, the more effective the refrigeration will be.

- The other condition for satisfactory operation is that the appliance stands on a flat surface. This is best seen by placing a glass of water on top of the appliance.
- It is important that the appliance is not directly exposed to radiated heat (sunlight, radiator, near an oven, etc.).
- Please do not place the refrigerator onto thick carpet!

#### 4.1. Installation instructions

This version is supposed to be freestanding. Cooling unit room cover protects from the hot parts of the cooling unit. Foot frame with grilles ensures sufficient ventilation.

### 5. Using the appliance

To start the refrigerator connect the plug to the socket outlet and switch on the socket. The cooling fins should show signs of cooling after about 1-2 hours depending on ambient temperature.

#### 5.1. Initial operation

- The device must be plugged into a properly earthed socket.
- The miniCool starts automatically with a self-test. The LED illuminates after plugging-in several times and after that continuous light can be seen if the door is open.

- The miniCool achieves its operating temperature after several hours.

#### 5.2. Temperature regulation

The usual setting required is in the region of the middle of the thermostat knob (Fig. 6), but this can vary with conditions of load and installation. If it is found necessary to alter the setting, the knob can be turned to a higher symbol to produce a colder temperature, or a lower symbol to produce a warmer temperature. The effect of any adjustment can be checked by means of a thermometer after leaving the refrigerator operating for a further period to settle down again.

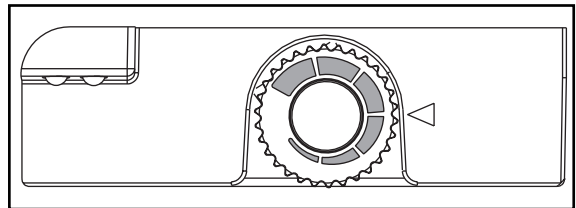


Figure 3.

#### 6. Thermometer (Fig. 4)

Refer to the separate instruction leaflet supplied with the thermometer. The thermometer can be stood up using the attached stand or alternatively it can be fixed to the refrigerator door, in which case the sensor wire should be arranged so that it is not stretched or damaged when the door is opened.

The temperature sensor is located inside the refrigerator in the upper left corner in front of the evaporator.

The display will then show the current, maximum and minimum temperature inside the refrigerator.

After the first pull down of the refrigerator (allow four hours) please make a "reset" on the thermometer because otherwise it will keep as "maximum" the ambient temperature.

If you find lower than +2 °C or even negative temperature as a minimum on the screen, it must have occurred due to a cutout in the electrical circuit. In these circumstance's the electronic thermostat will make a restart and start to cool down the refrigerator, without monitoring the refrigerator for 45 minutes. If you reset the thermometer again (1-2 hours later) and the normal +2 ... +8 °C is shown then you can be sure that the medicines have not been damaged or frozen.

The more medicines you store in the refrigerator then reduces the hazard of freezing, if the unit has a short period of time undercooling.

**We take no responsibility for damage to vaccines through freezing, if there has been a cutout in the electricity for a short period of time.**

It is important to reset the thermometer regularly to ensure that the temperature is maintained between 2 °C and 8 °C.

The temperature readings may rise temporarily after opening the door or placing additional items inside the cabinet.

On the thermometer the battery transit strip must be removed to activate the temperature display.

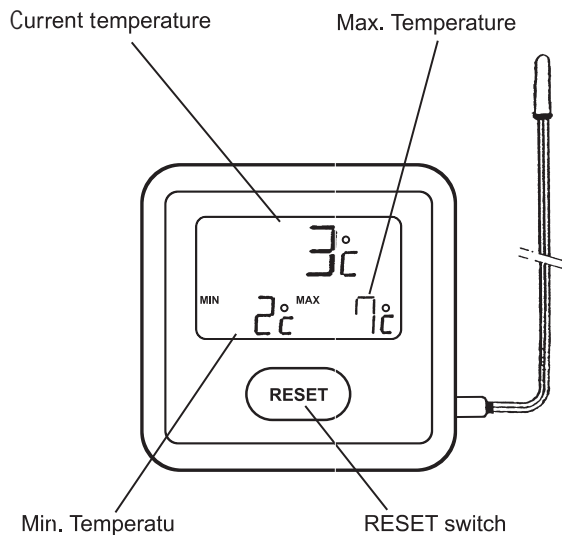


Figure 4.

### **i** 7. Useful suggestion

Do not overfill the appliance. It is advisable to leave some space between the products in the cabinet to ensure efficient and even cooling. If the shelves are packed too tightly there may be unacceptable temperature variations.

### **!** 8. Defrosting, cleaning and maintenance

Frost will gradually form on the cooling surfaces and it must not be allowed to become too thick since it acts as an insulator and interferes with the cooling.

We recommend to defrost the appliance in every 3 weeks, or depending on the ice quantity on the cooling fins. While defrosting the appliance should be switched off by disconnecting the refrigerator from the electricity supply and leave the cabinet door open.

The frost will melt and the defrost water will run through the drain tube from the drip channel into an evaporating vessel located at the bottom rear of the refrigerator. (Fig 5.)

After defrosting the cabinet interior should be wiped out with a clean, damp cloth.

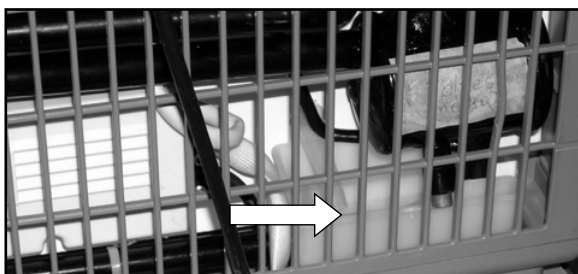


Figure 5.

## 9. Interior light

Two light-emitting diodes (A) on an electronic PCB illuminate the cooling compartment when the door is opened.

Two sensors (B) control whether the door is open or not and the LEDs will work accordingly.

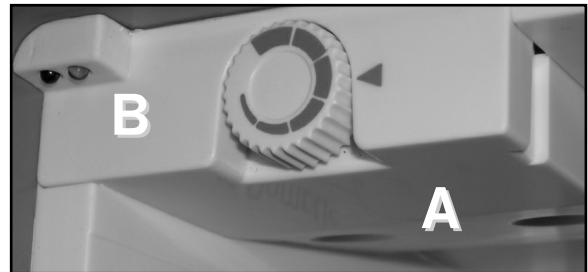


Figure 6.

## 10. Reversing the door hang, (Fig. 7-8.)

- Disconnect at the mains.
- Lay the appliance on its side.
- Loosen up 7 screws (1) of footframe and remove the footframe.
- Put the fridge on a desk to ease the work.
- Open the door and snap out the fixing tab (2) of the upper hinge pin by the help of screwdriver and push out the pin. (fig. 8.)
- Remove the door and the hinge washer.
- Remove the bottom hinge pin (3) and the upper and lower hinge plug (4) in the same way as in case of the upper hinge pin.
- Snap in the lower hinge pin (3) to the desired side.
- Put back the door and the hinge washer and snap in the upper hinge pin (2).
- Snap in the 2 hinge plugs (4) too.
- Put back the footframe with its screws.

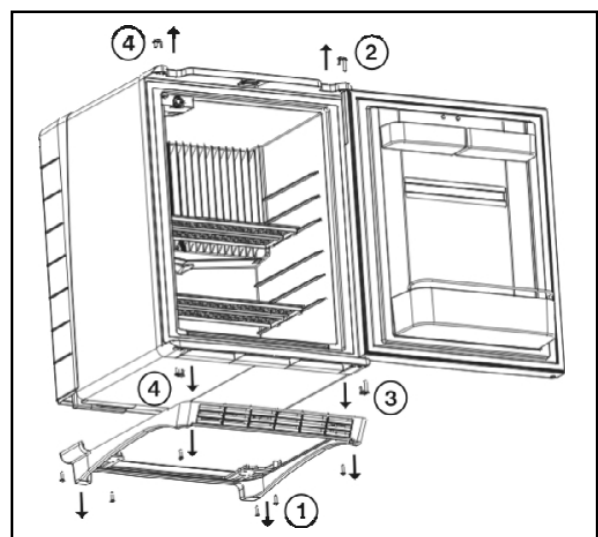


Figure 7.



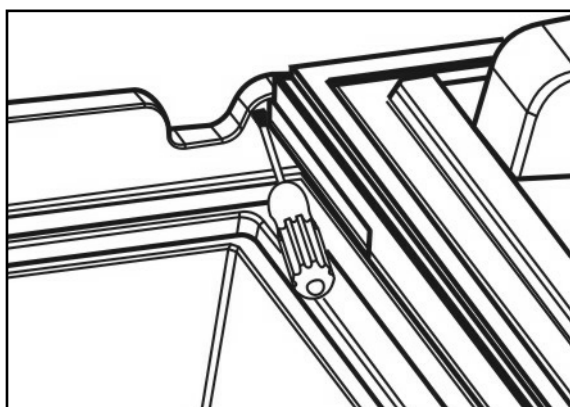


Figure 8.

## 11. Replacing the decorative door panel, Fig. 9

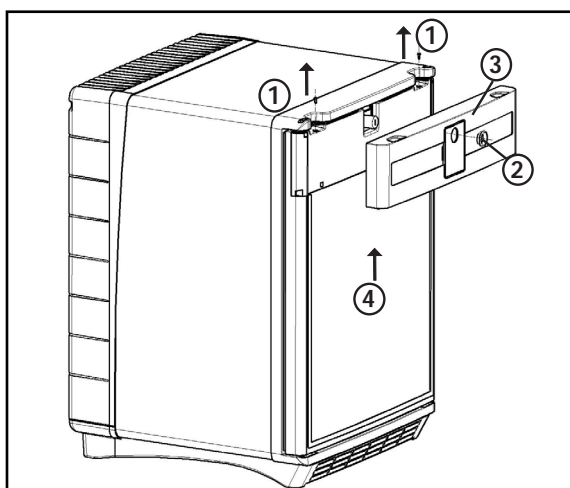


Figure 9.

Remove the mounter screws (1) of the forehead panel.(3)

Remove rosette (2) (in case of with lock version fridge).

Lift and remove the forehead panel.(3)

Slide the decorative panel (4) out of the door frame and insert the new panel (thickness max. 2 mm).

Place back the forehead panel,rosette and screw in reverse sequence.

## 12. Customer service

Before you call a service engineer, carry out the following simple tests:

- Is there a power failure? Check the fuses.
- Is the plug firmly connected to the socket and is the socket switched on? Check the socket by plugging in another appliance, e.g. a table lamp.
- Is the thermostat at the correct setting?
- Has the door not been closed properly causing the inside temperature to rise too quickly?
- Is the refrigerator level?
- Has the ventilation become obstructed?

If after checking all the above points, the refrigerator is still not working satisfactorily, contact your nearest service engineer. State the problem, model, product- and serial-number.

(Details of the model, product- and serialnumber are to be found on the data label in the top left of the inside compartment.)

This refrigerator is equipped with overheating protection. An authorised service technician can check whether this has been triggered or not.


In the event of a fault developing, contact your nearest Service Centre-see local telephone directory.

## 13. Putting into operation

### Technical data:

Model	DS 300 H	DS 600 H
Type	DS 20-60	DS 20-60
Gross volume	28,1 litre	52,6 litre
Mains operation	220 - 240V (AC)	220 - 240V (AC)
Input	65W	85W
Energy consumption	0,76 kWh/24h	0,88 kWh/24h
Climate class	SN	SN
Refrigerant	151g H <sub>2</sub> O + 101g NH <sub>3</sub>	157g H <sub>2</sub> O + 105g NH <sub>3</sub>

### 13.1. Connecting to electrical mains

 The appliance may only be operated from nominal voltage mains as shown on the data plate. The appliance mains plug may be connected to a mains socket earthed in accordance with regulations.

Any electrical work required to install this appliance should be carried out by a qualified electrician or competent person.

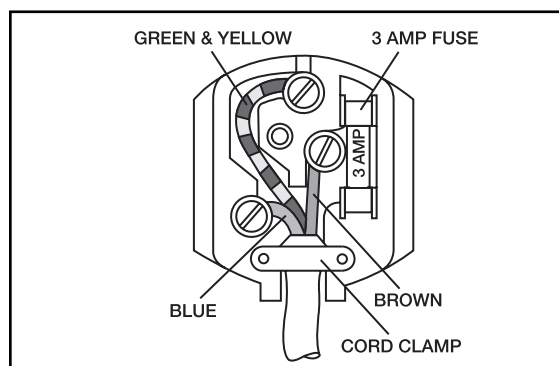
**The manufacturer declines any liability should these safety measures not be observed.**

#### Electrical Requirements


Before switching on, make sure the electricity supply voltage is the same as that indicated on the appliance rating plate.

#### Only for UK:

The appliance is supplied with a 3 amp plug fitted. In the event of having to change the fuse in the plug supplied, a 3 amp ASTA approved (BS 1362) fuse must be used. Should the plug need to be replaced for any reason, the wires in the mains lead are coloured in accordance with the following code:



Green and Yellow: Earth  
 Blue: Neutral  
 Brown: Live

The wire coloured green and yellow must be connected to the terminal marked with the letter „E“ or by the earth symbol  or coloured green and yellow. The wire coloured blue must be connected to the terminal „N“ or coloured black.

The wire coloured brown must be connected to the terminal marked „L“ or coloured red.

Upon completion there must be no cut, or stray strands of wire present and the cord clamp must be secure over the outer sheath.

## 14. Environmental protection information

The appliance does not contain any CFCs/HCFCs. Ammonia (natural hydrogen and nitrogen compound) is used as a refrigerating agent in the refrigeration unit. The ozone-friendly cyclopentane is activated as a motive agent for the PU foam insulation. Sodium chromate is used for corrosion protection (less than 2 weight % of the coolant).

## 15. Recycling

After unpacking the appliance, the packing materials should be delivered to a local collection site. At the end of its useful lifetime, the appliance should be delivered to a specialised collection and reprocessing firm, which reclaims the usable materials. The rest is properly destroyed.

**This appliance complies with the following EEC directives:**

LVD-Directive	73/23/EEC with amendment 90/683/EEC
EMC-Directive	89/336/EEC